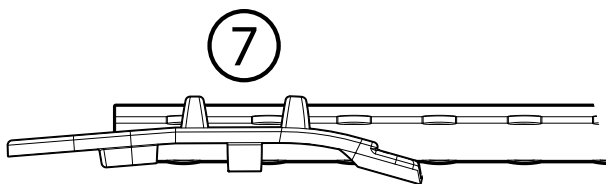
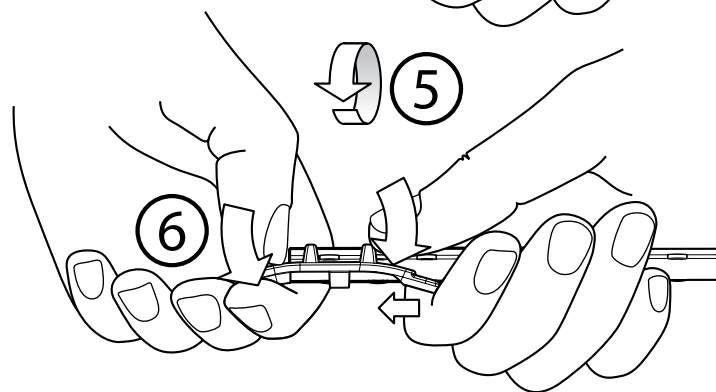
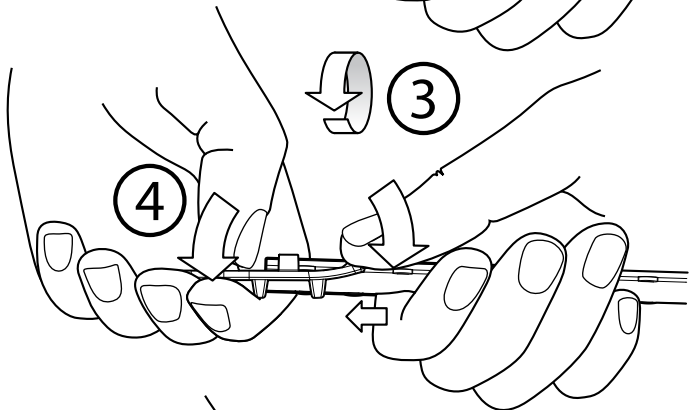
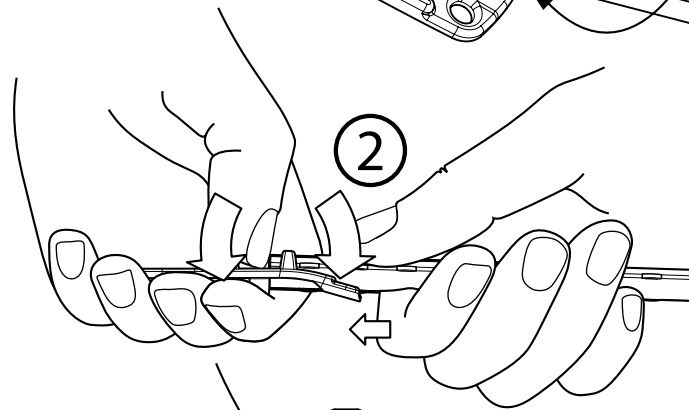
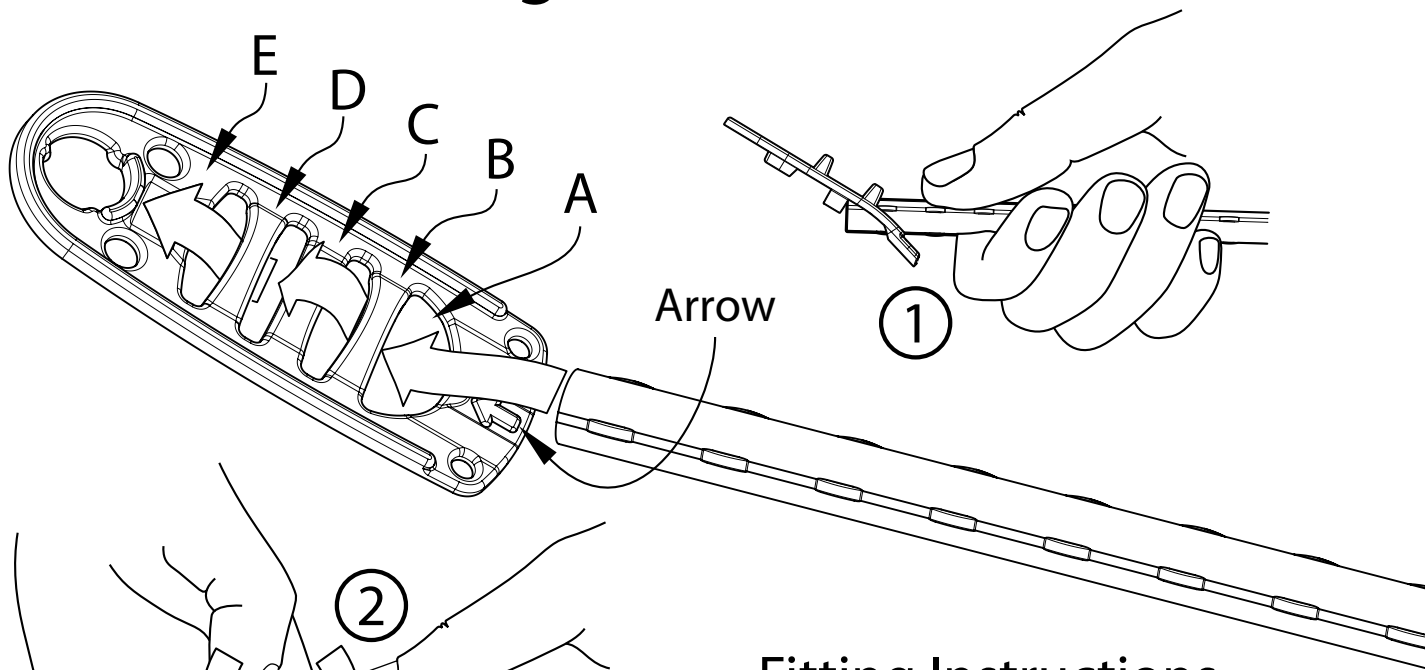
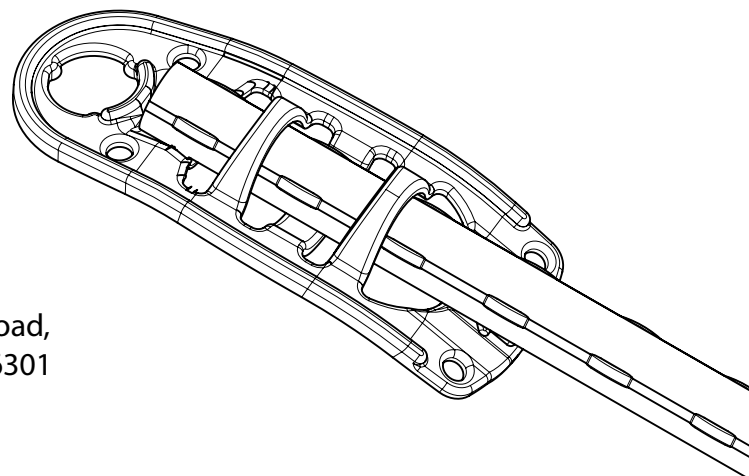


Cane End Fittings



Fitting Instructions

1. Look for the arrow and insert the cane into the first hole - A (shaped like a half moon) and hook it under the first bar - B
2. Push the rest of the cane fitting down against the cane until you can push the cane over the second bar - C.
3. Turn the whole lot over so you can see the back.
4. In a similar way, push the cane fitting down against the cane until you can slide the cane over the third bar - D.
5. Turn it over again.
6. Finally, push down on the cane fitting until you can slide the cane over the last part of the moulding - E
7. Make sure the cane is in as far as it will go, but not covering the big hole at the top



Kakoi - Cane End Fittings

kakoi Limited Unit A7, Pegasus Court, Ardglen Road,
Whitchurch, Hampshire RG28 7BP 01256 896301
www.kakoi.co.uk